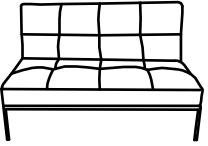
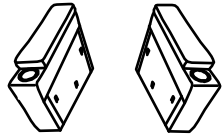
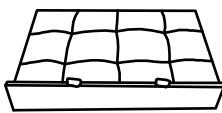

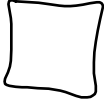
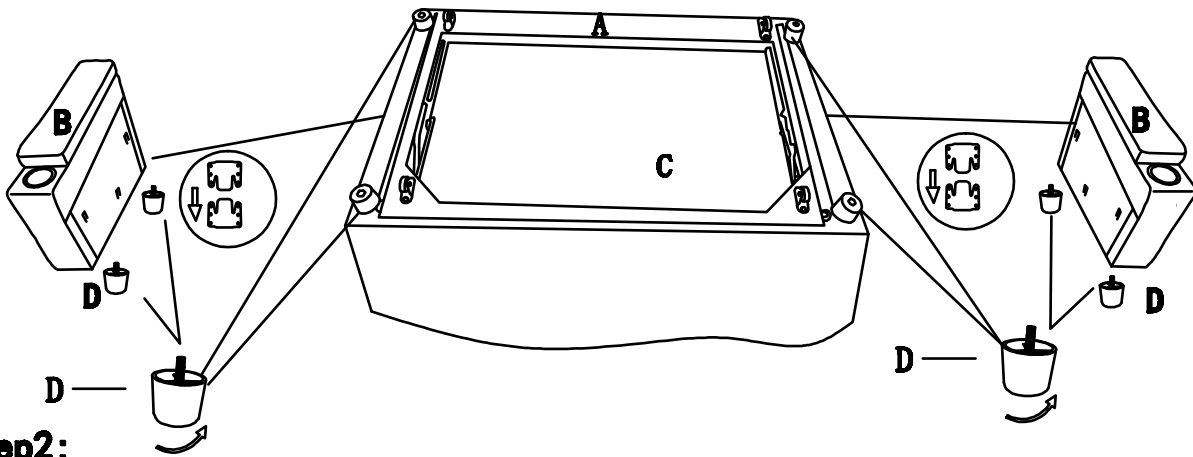


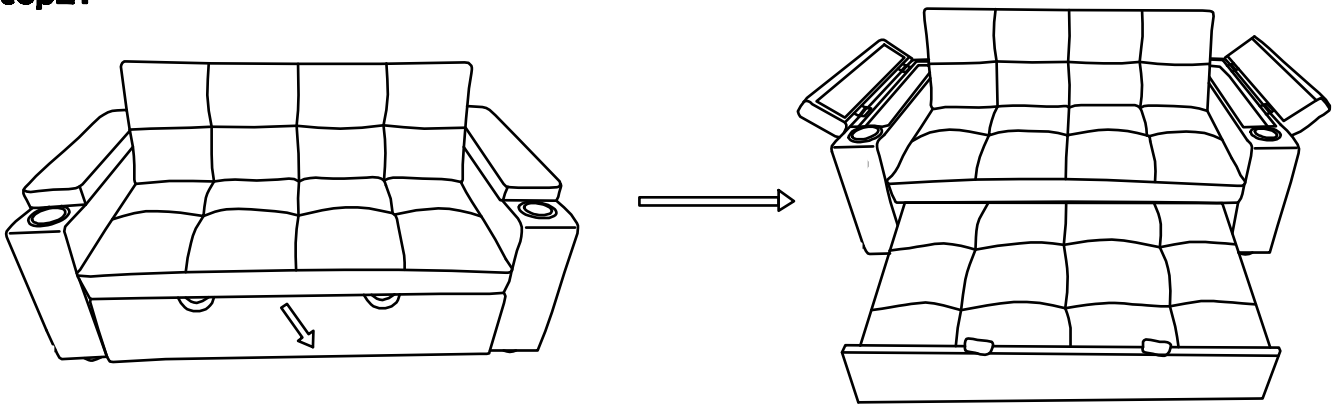
ASSEMBLY INSTRUCTION

A  x1	B  x2	C  x1	D  x8	E  x2
---	---	---	---	---

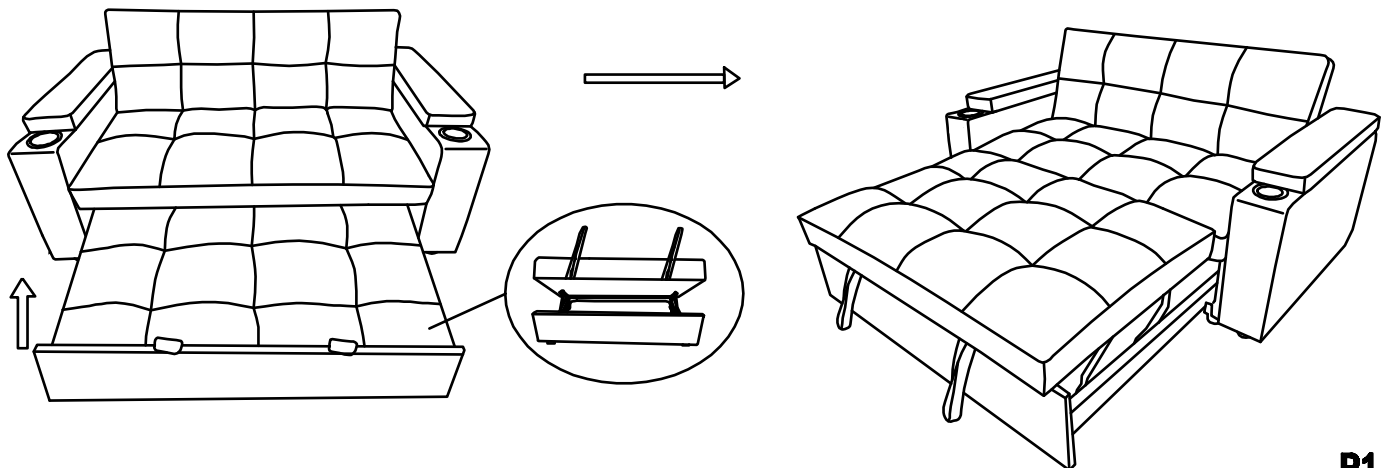
Step1:



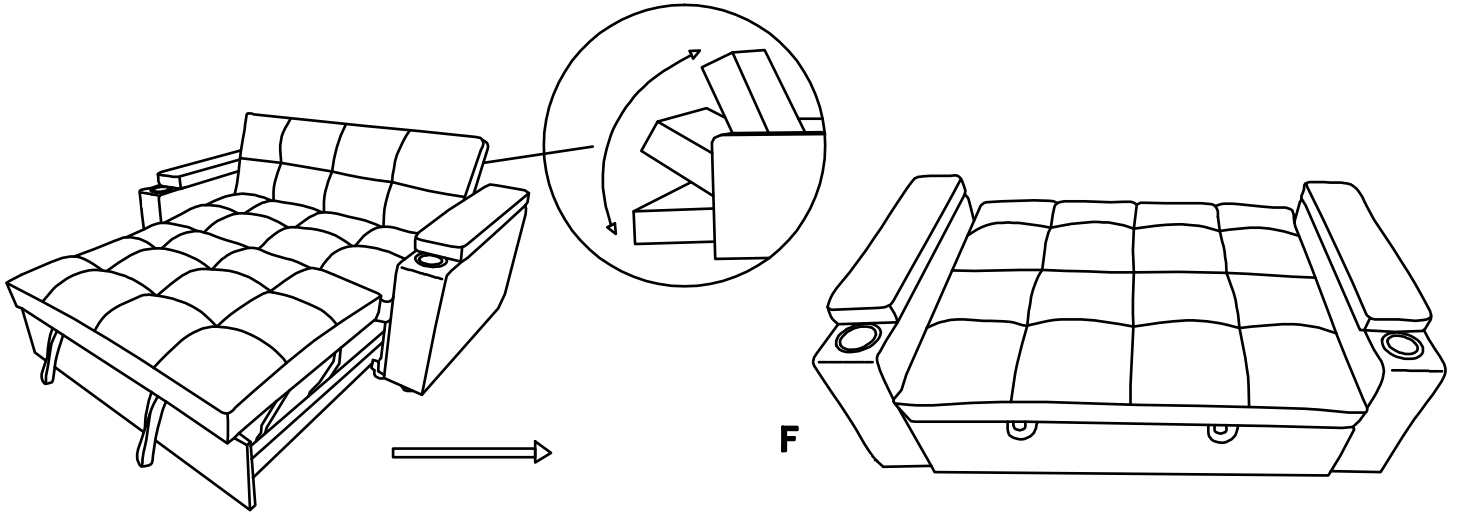
Step2:



Step3:



Step4:



Step5:

