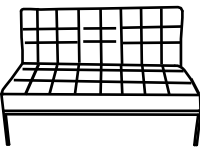
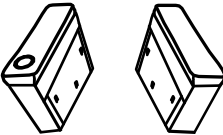
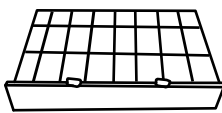


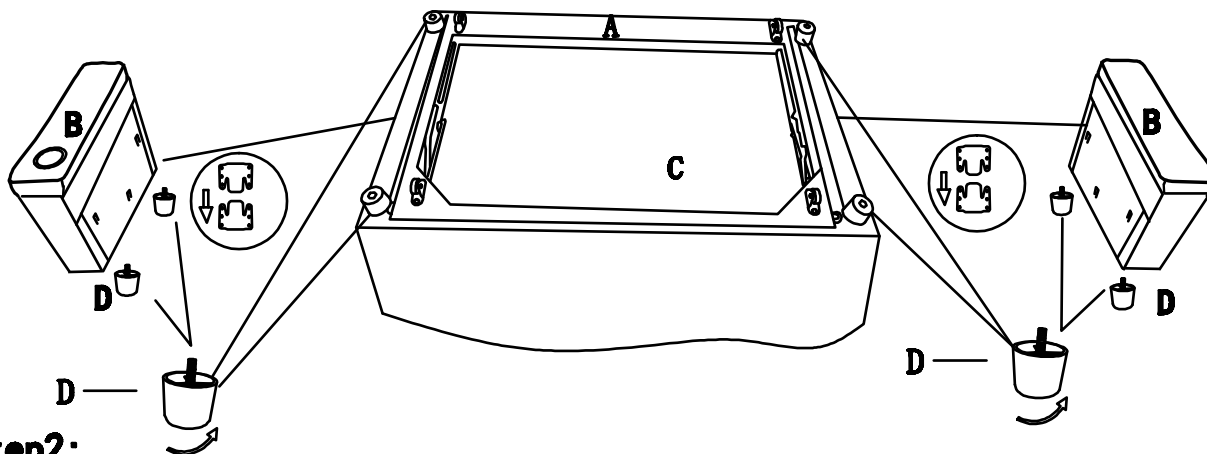


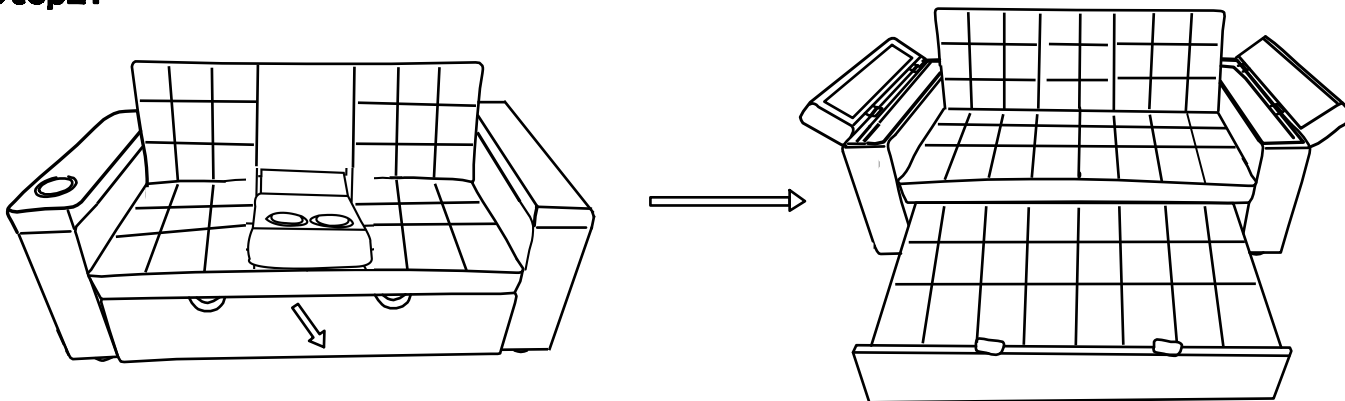
# ASSEMBLY INSTRUCTION

<b>A</b>  x1	<b>B</b>  x2	<b>C</b>  x1	<b>D</b>  x8	 x2
---	---	---	---	---

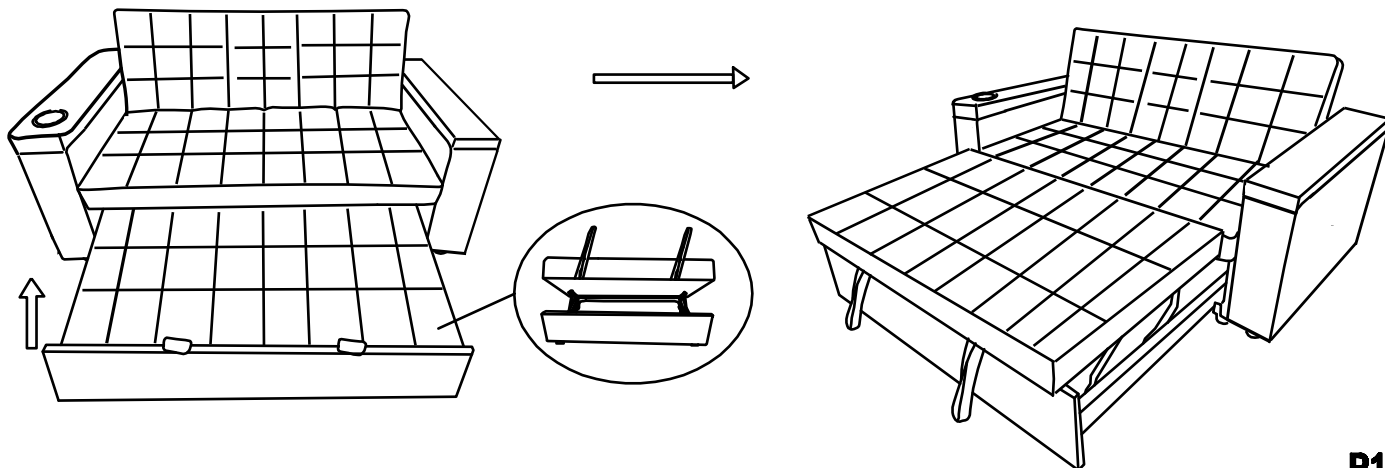
## Step1:



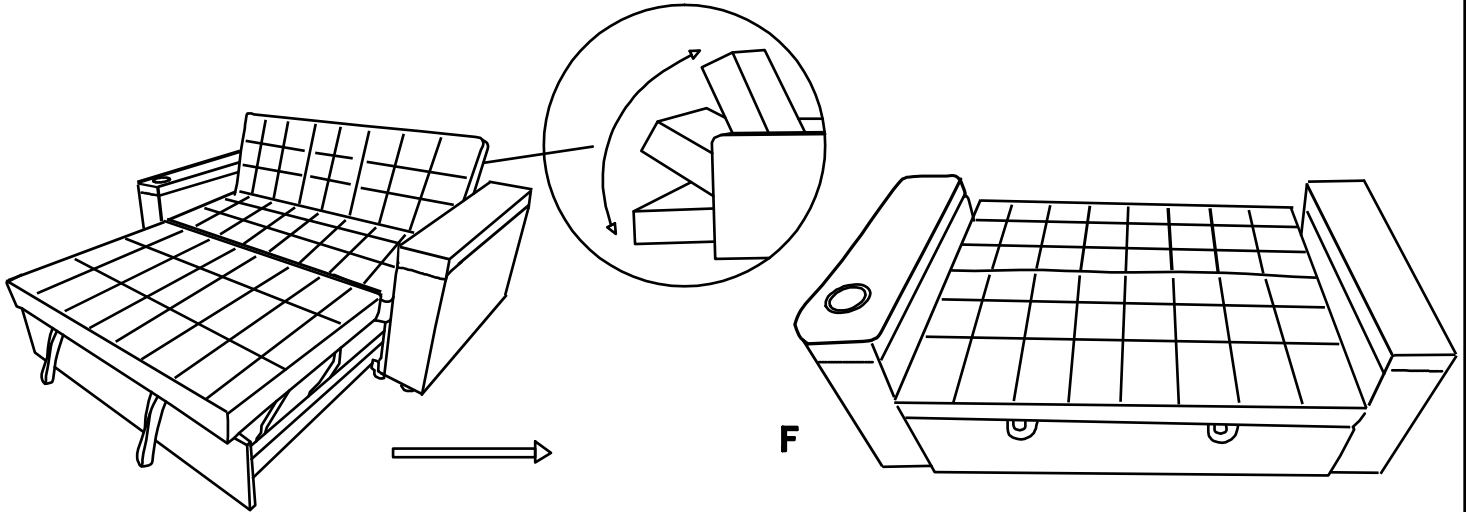
## Step2:



## Step3:



**Step4:**



**Step5:**

